

# BIOQUELL ROOM CI

SEE REAL-TIME RESULTS OF YOUR BIOQUELL CYCLE  
WITH OUR 6 LOG<sub>10</sub> RAPID READ CHEMICAL INDICATORS

The size of a business card, the Bioquell Room CI is a chemical indicator (CI) used in small rooms to large zones that gives an immediate indication of the success of a 6 log<sub>10</sub> hydrogen peroxide vapour decontamination cycle.

Place one or multiple indicators anywhere in the room you are performing Bioquell bio-decontamination to see your expected results in real-time. A colour changing strip is printed on the CI using a reactive ink specifically tailored for monitoring Bioquell's bio-decontamination process. The ink reacts by changing colour when exposed to the vapour, allowing you to see the results as they occur.

After a cycle is complete, in order to determine the expected cycle efficacy, simply compare the reactive colour strip to the static colour reference strip printed directly above it on each card. Results achieved can be a 6 log<sub>10</sub> or greater bioburden reduction.



Bioquell  
Room

Hydrogen Peroxide Vapour

Simple setup  
Easy to read  
Real-time results



Bioquell UK Ltd | 52 Royston Road  
T: +44 (0)1938 546111



## SIMPLE SETUP. EASY TO READ. REAL-TIME RESULTS

The Bioquell Room CI can be read immediately upon re-entering the room following a hydrogen peroxide vapour bio-decontamination cycle. No additional steps are required and the level of expected bioburden reduction is readily apparent on the card giving a truly instant result.



## VERIFICATION VALIDATED AGAINST HIGH STANDARDS

You have an instant quantitative result you can trust. Bioquell Room CI is calibrated against 6 log<sub>10</sub> *Geobacillus stearothermophilus* biological indicators ("BIs"). This means the expected efficacy displayed on the Bioquell Room CI can be confirmed by using Bioquell BIs during the same cycle and subsequently confirming the results after the BI's seven-day incubation period.

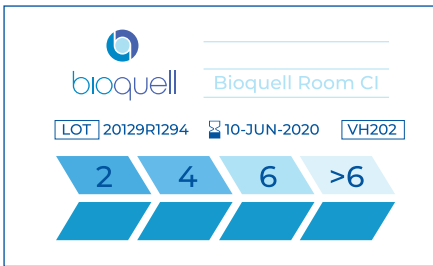


## PROCESS ASSURANCE

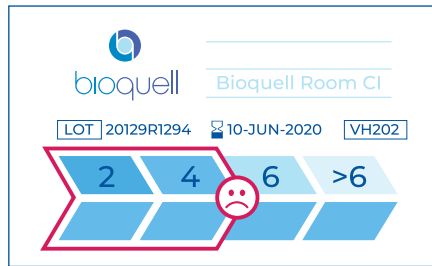
Using Bioquell Room CIs in every key cycle provides additional assurance of a successful bio-decontamination cycle in a cost-effective manner when compared to other options such as BIs or Enzyme Indicators (EIs). This gives you confidence to immediately continue with process operations and eliminates unnecessary downtime.

## A QUICK LOOK AT THE STAGES OF THE BIOQUELL ROOM CI:

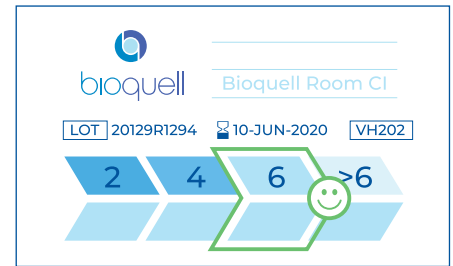
The Bioquell Room CI from start to a greater than 6 log<sub>10</sub> bioburden reduction:



The Bioquell Room CI without any exposure to hydrogen peroxide vapour



Here you see the colour change achieved is less than 6 log<sub>10</sub> kill



A 6 log<sub>10</sub> is seen here as the colour matches or is lighter than the reference strip

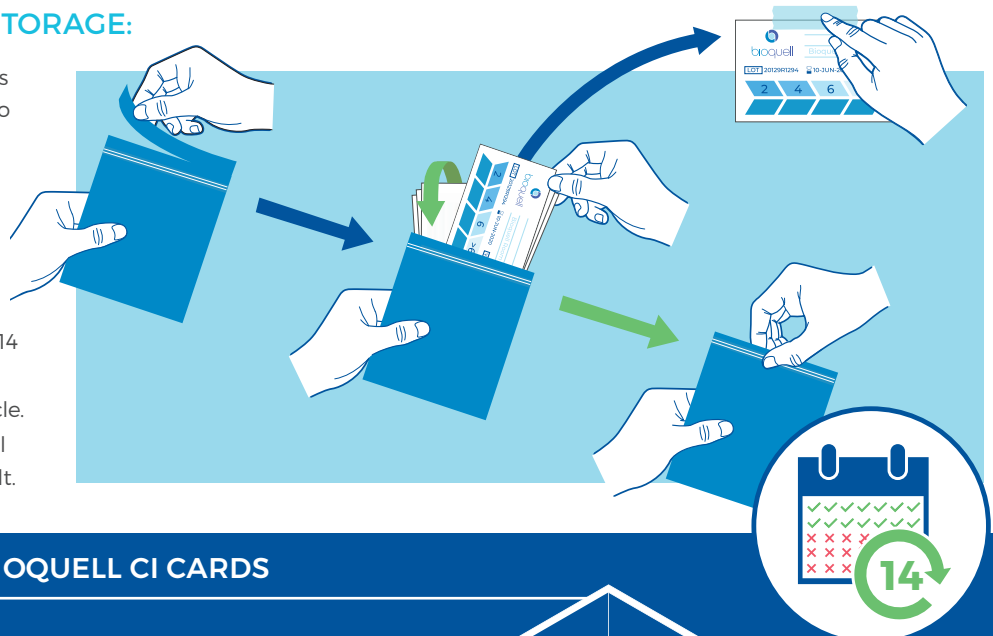
### APPLICATIONS:

Quickly and easily see an indication of room and zone decontamination success in:

- Biopharmaceutical manufacturing areas
- Bio-safety labs of all levels
- Patient rooms and wards
- GMP/GLP Laboratories
- Animal facilities

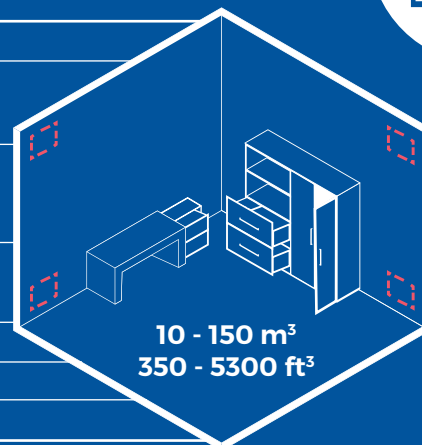
### QUICK SETUP AND SIMPLE STORAGE:

- Place your Bioquell Room CIs in various locations within the target zone prior to running a cycle, holding them in place with a piece of tape.
- If possible, place the cards in locations visible from outside the room to see real-time results as the Bioquell bio-decontamination cycle progresses.
- Store all remaining CIs and use within 14 days of opening.
- Run a Bioquell bio-decontamination cycle.
- Retrieve and review each card. Bioquell always aims for a 6 log<sub>10</sub> or greater result.



## GET TECHNICAL WITH THE BIOQUELL CI CARDS

| Packaging Contents |   |
|--------------------|---|
| Unit Description   | Exterior Package is resealable self-standing pouch<br>Hosted inside are resealable foil wallets, and Instruction leaflet<br>Each resealable foil wallet contains 20 chemical indicator cards  |
| Storage            | Shelf life of 9 months when received<br>Storage temperature limits of 2 to 8 degrees (35°F to 46°F). Contact your local Bioquell representative for details on temperature excursions.<br>Cards within resealed foil wallets must be used within 14 days of opening |
| Dimensions (WxHxD) | 100 units, packaged is 267 x 148 x 49mm (10.5 x 5.8 x 1.9in)<br>20 units, packaged is 106 x 158 x 8mm (4.2 x 6.2 x .3in)<br>Individual card (WxH) is 85 x 55mm (3.35 x 2.17in)  |
| Unit Weight        | 100 units, packaged is 0.200kg (.44lb)  |
| Reference          | 6 log <sub>10</sub> bioburden reduction ( <i>C. Stearothermophilus</i> )  |
| Volume             | 10m <sup>3</sup> to 150m <sup>3</sup> (350 to 5300 ft <sup>3</sup> ) per generator*   |



\* The Bioquell Room CI works in larger spaces. Please consult with a Bioquell validation expert to determine the best placements or other setup needs.

#### UK Headquarters

Bioquell UK Ltd  
E: enquiries@bioquell.com  
W: www.bioquell.com  
T: +44 (0)1264 835 835

#### Global

**The Americas**  
Bioquell Inc  
T: +1 215 682 0225

**France**  
Bioquell SAS  
T: +33 (0)1 43 78 15 94

**Germany**  
Bioquell GmbH  
T: +49 (0) 221 168 996 74

**Ireland**  
Bioquell Ireland  
T: +353 (0)61 603 622

**China**  
Bioquell Shenzhen Technology Company Ltd  
T: +86 755 8635 2622

**Singapore**  
Bioquell Asia Pacific Pte Ltd  
T: +65 6592 5145



Disclaimer: Please note that this document comprises marketing literature and is for summary information purposes only; customers or potential customers must not rely upon the contents of this document. Bioquell UK Ltd, or its affiliates, distributors, agents or licensees (together 'Bioquell') reserve the right to make changes to the contents of this document at any time and without prior notification. Use Bioquell CI Cards safely. Always read the label and product information before use.

Bioquell is a registered trademark of Bioquell UK Ltd. © (2020). All rights reserved. LS001-MKT-212 Rev 2